



**LOGLIFT**

# LOGLIFT 105Z



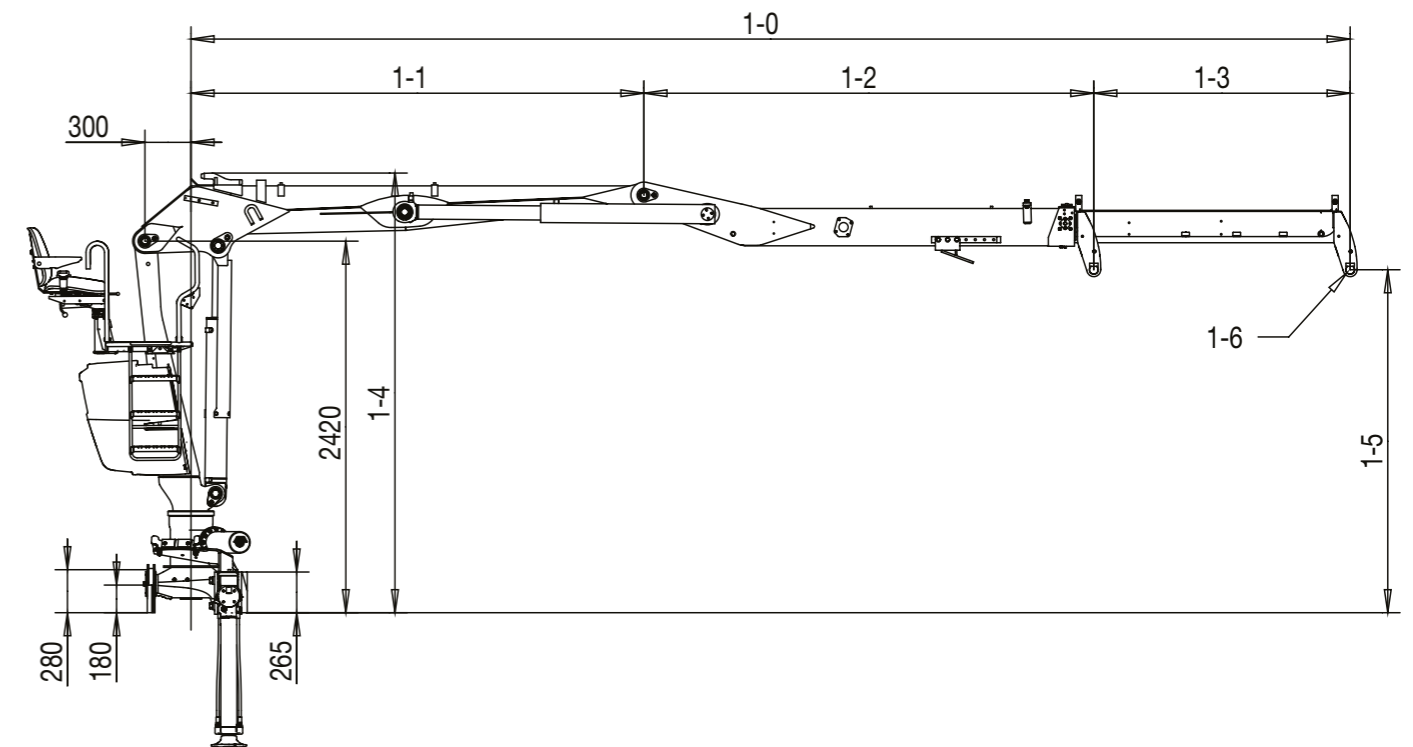
BASIC DATA

# LOGLIFT 105Z BASIC DATA

Technical data	F105Z 75	F105Z 77	F105Z 87	F105Z 89
Max. lifting capacity (kNm)	105	105	100	100
Hydraulic outreach* (m)	7.6	7.8	8.8	9.0
Number of extensions	1	1	2	2
Outreach - lifting capacity, standard (m - kg)	3.0 - 2750	3.0 - 2750	3.0 - 2600	3.0 - 2600
	4.0 - 2280	4.0 - 2260	4.0 - 2180	4.0 - 2160
	5.0 - 2020	5.0 - 1980	5.0 - 1940	5.0 - 1900
	6.0 - 1760	6.0 - 1740	6.0 - 1680	6.0 - 1660
	7.0 - 1480	7.0 - 1480	7.0 - 1400	7.0 - 1400
8.0 - 1180		8.0 - 1180	8.0 - 1180	
Slewing system	Single			
Slewing angle (°)	415			
Slewing torque, gross (kNm)	25			
Max. working pressure (MPa)	23			
Recommended oil flow – fixed pump (l/min), 1-pump	70-90			
Recommended oil flow – fixed pump (l/min), 2-pump	2 x 60-80			
Weight - High seat crane with standard stabilizer (kg)*	1940	1960	2060	2070

\* Weight with fixed pump system, oil weight included

Side view



Model	1-0 min	1-0 max	1-1	1-2	1-3	1-4	1-5	1-6
75	5880	7550	2950	2930	1670	2864	2234	Ø 40, B=184
77	6080	7750	3150	2930	1670	2858	2234	Ø 40, B=184
87	5850	8650	2950	2900	2800	2864	2160	Ø 40, B=184
89	6050	8850	3150	2900	2800	2858	2161	Ø 40, B=184

For more information,  
please visit us at [www.hiab.com](http://www.hiab.com)



# BUILT TO PERFORM

Hiab is the world's leading provider of on-road load handling equipment, intelligent services, smart and connected solutions. Hiab's class-leading load handling equipment includes HIAB, EFFER and ARGOS loader cranes, LOGLIFT and JONSERED forestry and recycling cranes, MOFFETT and PRINCETON truck mounted forklifts, MULTILIFT skiploaders and hooklifts, and tail lifts under the ZEPRO, DEL, and WALTCO brands. As the industry pioneer and with a proud 75 year history, Hiab is committed to be the preferred partner and solution provider to its customers and shape the future of intelligent load handling.

[www.hiab.com](http://www.hiab.com)

Hiab is part of Cargotec Corporation.

[www.cargotec.com](http://www.cargotec.com)

**Disclaimer.** We reserve the right to make changes. Illustrations, drawings and data are not always in accordance with the latest version or standard model in production. The models in the pictures may present special equipment or colours.

[www.hiab.com](http://www.hiab.com)

